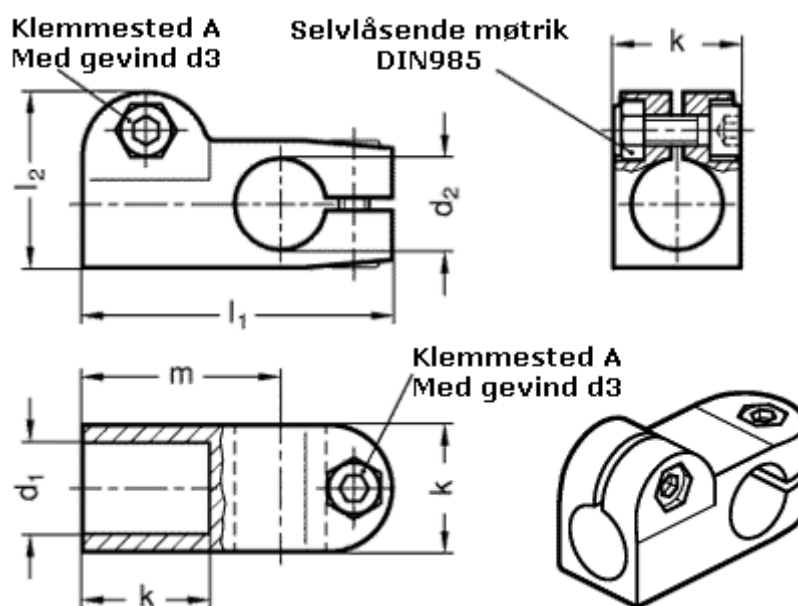


Article number: 20191B14B142SW

Description: E+G

T-angle clamps GN191-B14-B14-22-SW

## Measures



d1 = B14  
d2 = B14  
d3 = M 6  
k = 25  
l1 = 61  
l2 = 34.5  
m = 39